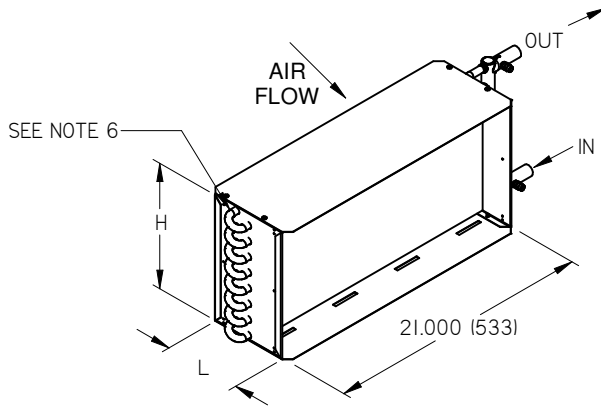
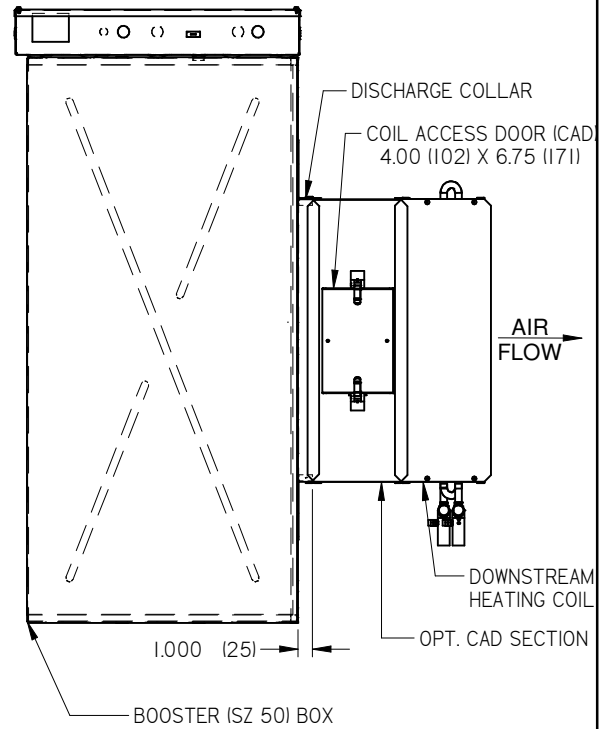
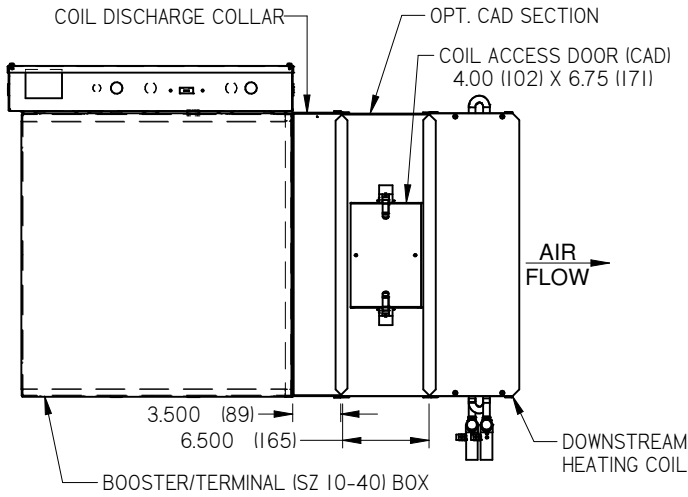


FDU HOT WATER COILS



UNIT SIZE	COIL	L	H	ROWS
10 & 20	HEATING	6.000 (152)	7.750 (197)	<input type="checkbox"/> 1H
				<input type="checkbox"/> 2H
30 & 50	HEATING	6.000 (152)	10.000 (254)	<input type="checkbox"/> 1H
				<input type="checkbox"/> 2H
40	HEATING	6.000 (152)	12.500 (318)	<input type="checkbox"/> 1H <input type="checkbox"/> 2H

ACCESS DOOR OPTIONS:

- NO COIL ACCESS DOOR
- CAD - ACCESS DOOR W/ SCREWS
- CADL - ACCESS DOOR W/ SNAP LATCHES
- CADQ - ACCESS DOOR W/ QUARTER TURN SASH LATCHES

COIL HANDING OPTIONS:


- LH-HEAT
- RH-HEAT

NOTES:

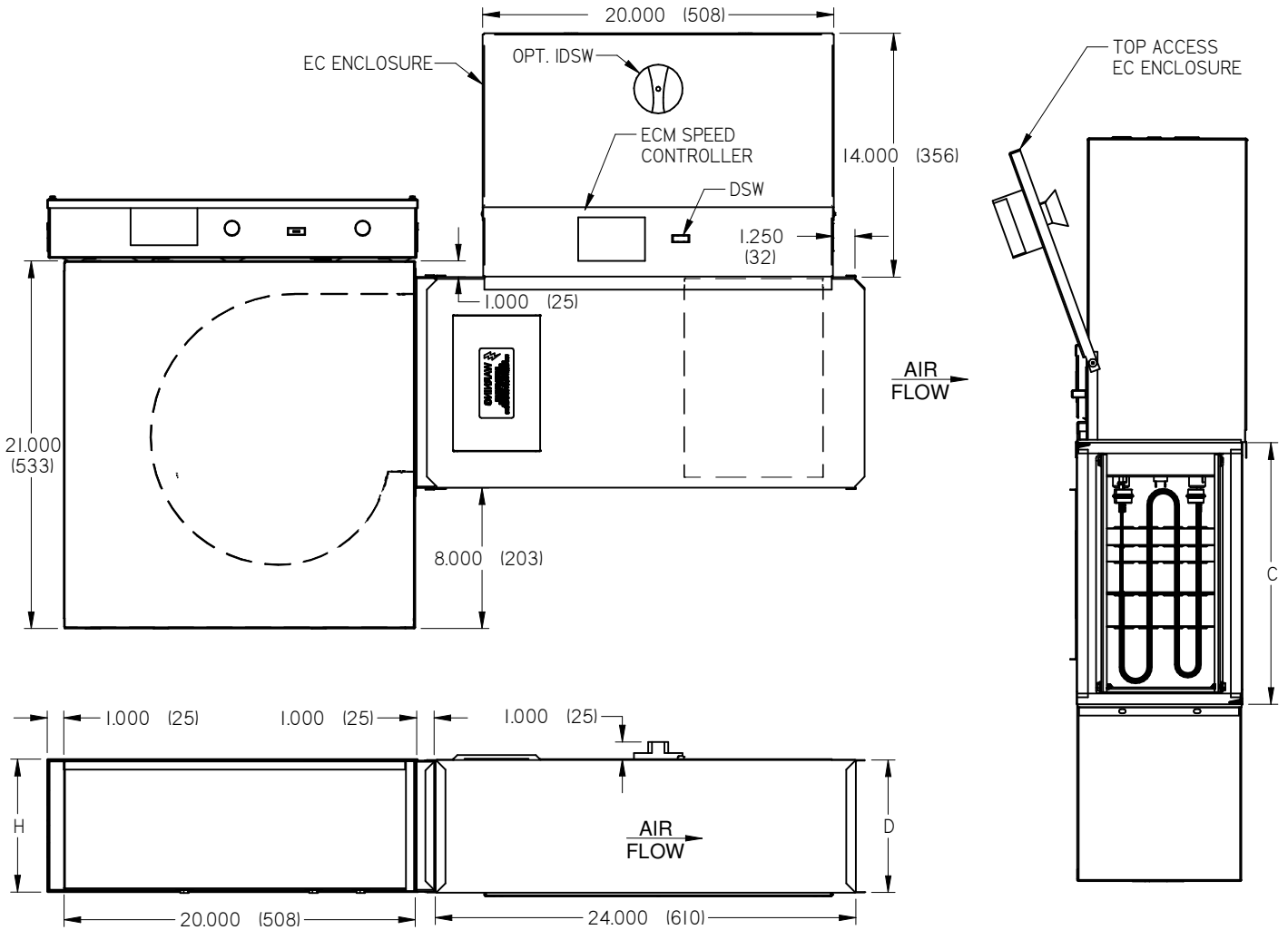
1. FABRICATED FROM 22 GA. GALVANIZED STEEL. MECHANICALLY SEALED, LEAK RESISTANT CONSTRUCTION.
2. COILS HAVE 1/2" COPPER TUBES AND ALUMINUM FINS WITH 7/8" O.D. SWEAT CONNECTIONS
3. METHOD OF VENTING COIL IS TO BE PROVIDED BY INSTALLING CONTRACTOR
4. COIL DISCHARGE COLLAR REQUIRED TO ATTACH COILS TO FANS

5. HANDING OF COILS CAN BE ON THE SAME SIDE AS THE CONTROLS OR OPPOSITE SIDE. LEFT HAND UNIT AND RIGHT HAND CONNECTION IS ILLUSTRATED ABOVE.
6. ALLOW 1-1/2" (38) MINIMUM CLEARANCE FOR INSTALLATION AT THIS END
7. PERFORMANCE RATED AND CERTIFIED IN ACCORDANCE WITH THE CURRENT EDITION OF ARI STANDARD 410
8. STANDARD COILS SUPPLIED WITH 12 FINS PER INCH.

ALL METRIC DIMENSIONS () ARE SOFT CONVERTED. IMPERIAL DIMENSIONS ARE CONVERTED TO METRIC AND ROUNDED TO THE NEAREST MILLIMETER.

PROJECT:		 NS FDU WATER COILS UNDERFLOOR FAN POWERED BOOSTER/TERMINAL HEATING ONLY SIZE 10-50
ENGINEER:		
CUSTOMER:		
SUBMITTAL DATE:	SPEC. SYMBOL:	
		270521 2024/11/01

FDU ELECTRIC COILS



UNIT SIZE	COIL	H	C	D
10	ELECTRIC	7.500 (191)	12.000 (305)	7.500 (191)
20	ELECTRIC	8.500 (216)	12.000 (305)	8.000 (203)
30	ELECTRIC	10.000 (254)	12.000 (305)	10.000 (254)
40	ELECTRIC	12.500 (318)	14.000 (356)	12.500 (318)

NOTES:

- 70 CFM PER KW MINIMUM AIRFLOW ACROSS HEATER COILS IS REQUIRED
- MINIMUM 0.2" W.G. (50 Pa) EXTERNAL STATIC PRESSURE TO OPERATE
- ASSEMBLY IS ETL CERTIFIED TO UL1992 & CSA236
- SLIP & DRIVE CONNECTIONS ON BOTH ENDS OF EC OUTER DUCT
- REFERENCE AIO SOFTWARE FOR EC KW LIMITATIONS
- DO NOT USE FOR TEMPORARY HEAT/VENTILATION BEFORE SITE CONSTRUCTION

STANDARD CONSTRUCTION:

- 20 GA. GALVANIZED STEEL CASING
- HIGH GRADE NICKEL CHROME HEATING ELEMENTS
- MECHANICALLY SEALED, LEAK RESISTANT
- INTEGRATED RIVET HINGED ACCESS DOOR
- AUTO & MANUAL THERMAL RESET CUTOUT
- FAN INTERLOCKED WITH HEATING ELEMENTS
- MAGNETIC CONTACTORS
- EC RACK SLIDES INTO OUTER DUCT
- TRANSFORMER INCLUDED STANDARD WITH EC

EC TYPE OPTIONS:

- 1 STAGE
- 2 STAGE
- 3 STAGE
- SCR

VOLTAGE/PHASE OPTIONS:

- 115V / 1Φ
- 208V / 1Φ
- 240V / 1Φ
- 277V / 1Φ
- 480V / 1Φ
- 208V / 3Φ
- 480V / 3Φ
- 600V / 3Φ

FUSING OPTIONS:

- MAIN LINE SUPPLY FUSING
- MOTOR FUSING
- CONTROL CIRCUIT FUSING

SCR CONTROL OPTIONS:

- SCR-V: 0-10 VDC SIGNAL
- SCR-A: 4-20 mA SIGNAL
- SCR-PWM: 24 VAC PWM

EC HANDLING OPTIONS:

- LH-HEAT (SHOWN)
- RH-HEAT

POWER OPTIONS:

- SINGLE POINT POWER
- DUAL POINT POWER (DP)

DISCONNECT OPTIONS:

- DOOR INTERLOCK (IDSW)
- STD DISCONNECT SWITCH (DSW)

INSULATED EC SECTION (1/2" FIBERGLASS)

CBC COMPLIANT EC ENCLOSURE



ALL METRIC DIMENSIONS () ARE SOFT CONVERTED. IMPERIAL DIMENSIONS ARE CONVERTED TO METRIC AND ROUNDED TO THE NEAREST MILLIMETER.

PROJECT:

ENGINEER:

CUSTOMER:

SUBMITTAL DATE:

SPEC. SYMBOL:

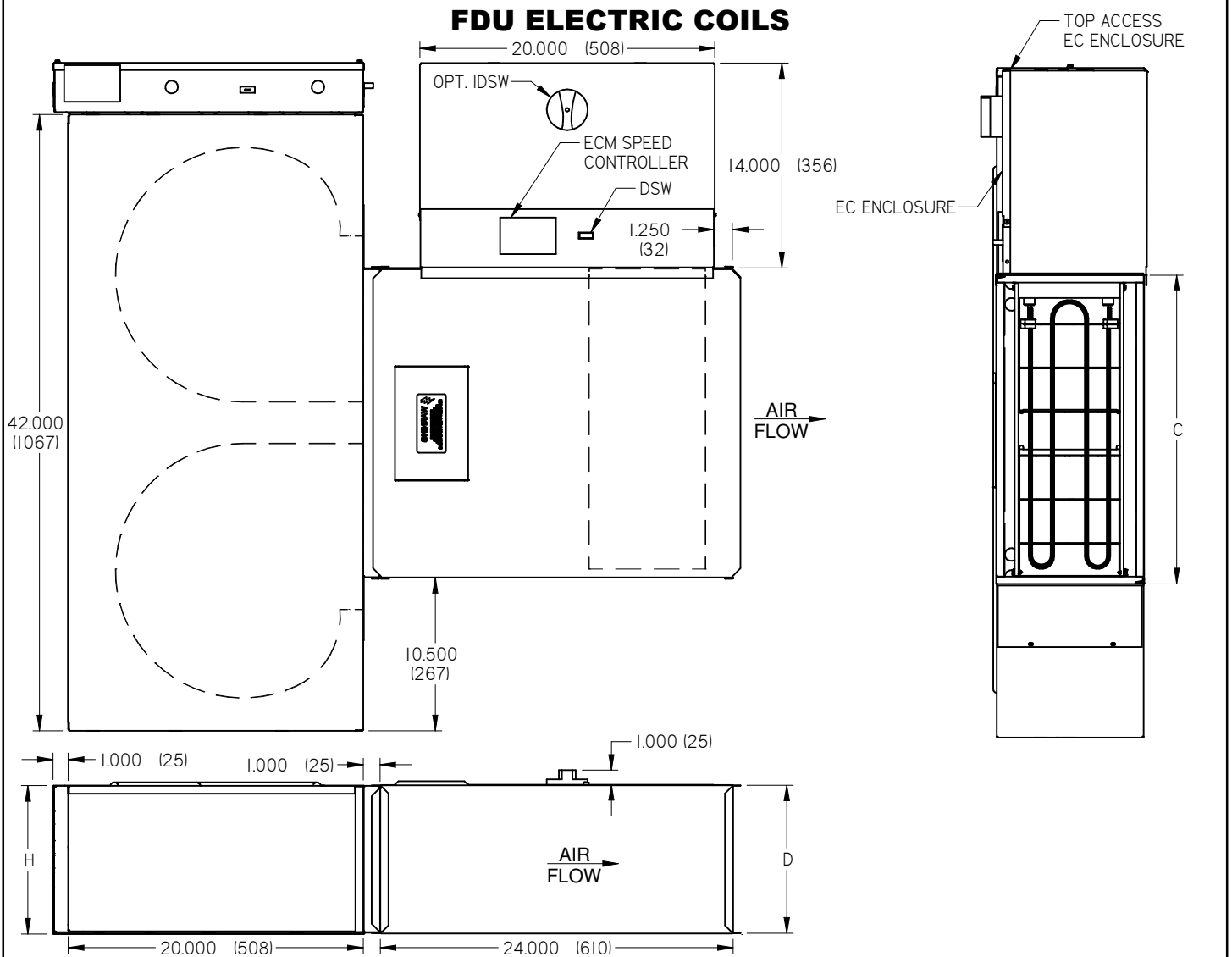
PRICE

NS

270522

2021/07/09

FDU ELECTRIC COILS
UNDERFLOOR FAN
POWERED
BOOSTER/TERMINAL
CONFIGURATION
SIZE 10-40



NOTES:

- 70 CFM PER KW MINIMUM AIRFLOW ACROSS HEATER COILS IS REQUIRED
- MINIMUM 0.2" W.G. (50 Pa) EXTERNAL STATIC PRESSURE TO OPERATE
- ASSEMBLY IS ETL CERTIFIED TO UL1992 & CSA236
- SLIP & DRIVE CONNECTIONS ON BOTH ENDS OF EC OUTER DUCT
- REFERENCE AIO SOFTWARE FOR EC KW LIMITATIONS
- DO NOT USE FOR TEMPORARY HEAT/VENTILATION BEFORE SITE CONSTRUCTION

UNIT SIZE	COIL	H	C	D
50	ELECTRIC	10.000 (254)	21.000 (533)	10.000 (254)

STANDARD CONSTRUCTION:

- 20 GA. GALVANIZED STEEL CASING
- HIGH GRADE NICKEL CHROME HEATING ELEMENTS
- MECHANICALLY SEALED, LEAK RESISTANT
- INTEGRATED RIVET HINGED ACCESS DOOR
- AUTO & MANUAL THERMAL RESET CUTOUT
- FAN INTERLOCKED WITH HEATING ELEMENTS
- MAGNETIC CONTACTORS
- EC RACK SLIDES INTO OUTER DUCT
- TRANSFORMER INCLUDED STANDARD WITH EC

EC TYPE OPTIONS:

- 1 STAGE
- 2 STAGE
- 3 STAGE
- SCR

VOLTAGE/PHASE OPTIONS:

- 115V / 1Φ
- 208V / 1Φ
- 240V / 1Φ
- 277V / 1Φ
- 480V / 1Φ
- 208V / 3Φ
- 480V / 3Φ
- 600V / 3Φ

FUSING OPTIONS:

- MAIN LINE SUPPLY FUSING
- MOTOR FUSING
- CONTROL CIRCUIT FUSING

SCR CONTROL OPTIONS:

- SCR: 0-10 VDC SIGNAL
- SCRA: 4-20 mA SIGNAL
- SCR PWM: 24 VAC PWM

EC HANDLING OPTIONS:

- LH-HEAT (SHOWN)
- RH-HEAT

POWER OPTIONS:

- SINGLE POINT POWER
- DUAL POINT POWER (DP)

DISCONNECT OPTIONS:

- DOOR INTERLOCK (IDSW)
- STD DISCONNECT SWITCH (DSW)

INSULATED EC SECTION (1/2" FIBERGLASS)

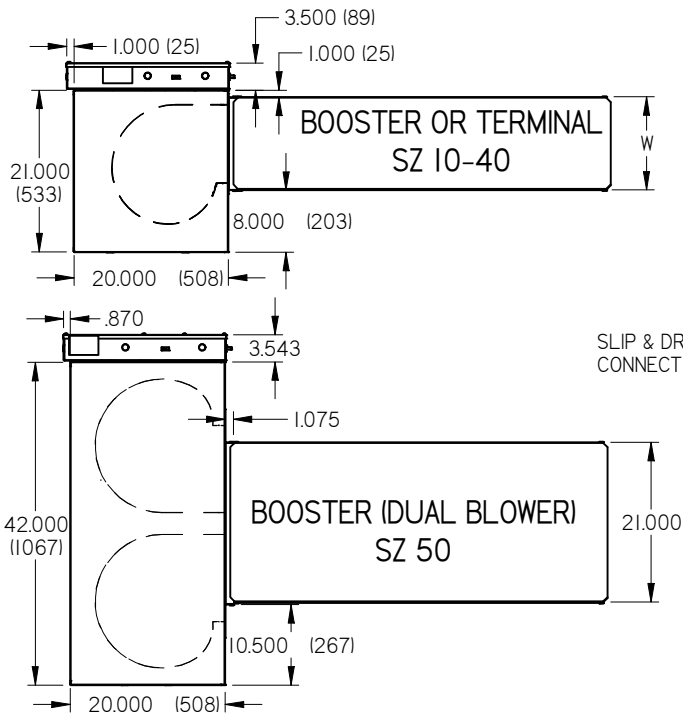
CBC COMPLIANT EC ENCLOSURE



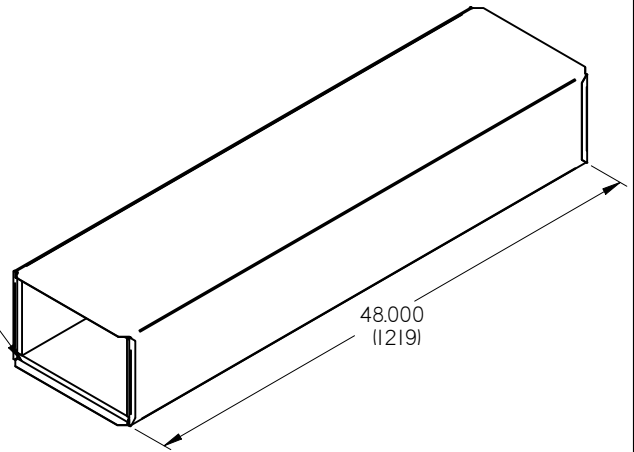
ALL METRIC DIMENSIONS () ARE SOFT CONVERTED. IMPERIAL DIMENSIONS ARE CONVERTED TO METRIC AND ROUNDED TO THE NEAREST MILLIMETER.

PROJECT:		FDU ELECTRIC COILS UFAD FAN POWERED BOOSTER CONFIGURATION SIZE 50
ENGINEER:		
CUSTOMER:		
SUBMITTAL DATE:		
SPEC. SYMBOL:		NS 270522 2021/07/09

FDU DISCHARGE ATTENUATORS



SLIP & DRIVE CONNECTIONS



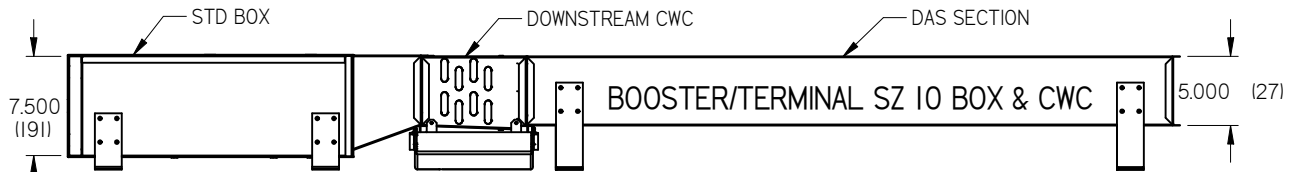
UNIT SIZE	DAS 4FT. CONFIGURATION	H	W
10	STD BOX/BOX & EC	7.500 (191)	12.000 (305)
20	STD BOX/BOX & EC	8.000 (203)	12.000 (305)
30	STD BOX/BOX & EC	10.000 (254)	12.000 (305)
40	STD BOX/BOX & EC	12.500 (318)	14.000 (356)
50	STD BOX/BOX & EC/BOX & & WC	10.000 (254)	21.000 (533)
10	BOX & WC (CWC ONLY)	5.000 (127)	21.000 (533)
10/20	BOX & WC/SZ 10-HWC ONLY	7.500 (191)	21.000 (533)
30	BOX & WC	10.000 (254)	21.000 (533)
40	BOX & WC	12.500 (318)	21.000 (533)

DAS LINER OPTIONS:

- DAS-FG50: 1/2" FIBERGLASS LINER
- DAS-FF50: 1/2" FIBER FREE LINER

NOTES:

- 22 GA. GALVANIZED STEEL HOUSING
- MECHANICALLY SEALED, LEAK RESISTANT
- DISCHARGE ATTENUATORS ARE SHIPPED LOOSE WITH SLIP & DRIVE CLEATS WHERE REQUIRED
- STD DISCHARGE COLLARS ARE PROVIDED WITH STANDARD BOX

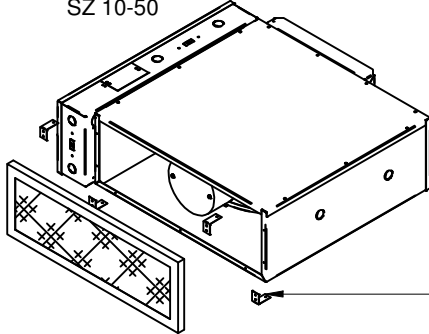


ALL METRIC DIMENSIONS () ARE SOFT CONVERTED. IMPERIAL DIMENSIONS ARE CONVERTED TO METRIC AND ROUNDED TO THE NEAREST MILLIMETER.

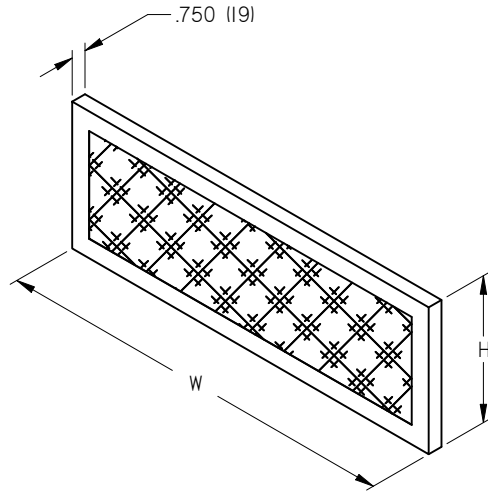
PROJECT:		<p>FDU ATTENUATORS UNDERFLOOR FAN POWERED BOOSTER/TERMINAL DISCHARGE SIZE 10-50</p>
ENGINEER:		
CUSTOMER:		
SUBMITTAL DATE:	SPEC. SYMBOL:	
		<p>270523</p> <p>2018/10/01</p>

FDU FILTERS

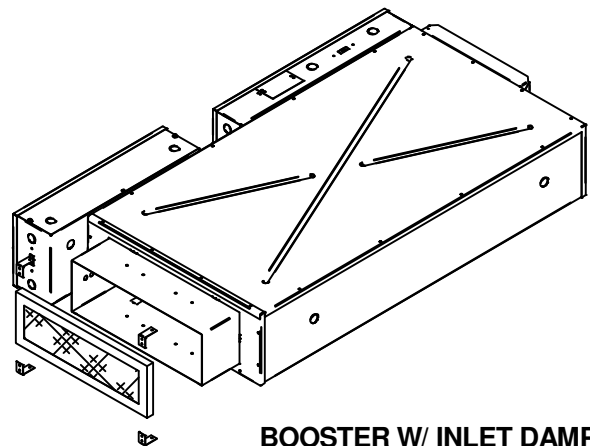
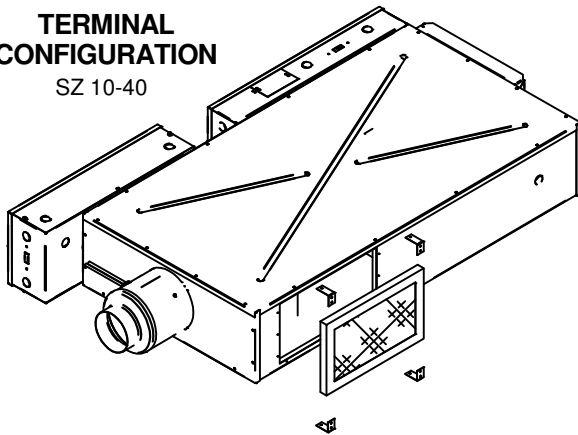
BOOSTER CONFIGURATION
SZ 10-50



FASTENED WITH MOUNTING ANGLES



TERMINAL CONFIGURATION
SZ 10-40



BOOSTER W/ INLET DAMPER CONFIGURATION
SZ 10-40

NOTES:

- 1" (25) NOMINAL FILTER MEDIA
- 4 MOUNTING ANGLES USED FOR INSTALLING EACH FILTER
- CARDBOARD FRAME
- MERV3 RATING (THROW AWAY)

UNIT SIZE	BOX CONFIGURATION	H	W
10	STD BOOSTER	7.500 (191)	21.000 (533)
20	STD BOOSTER	8.500 (216)	21.000 (533)
30	STD BOOSTER	10.000 (254)	21.000 (533)
40	STD BOOSTER	12.500 (318)	21.000 (533)
50	STD BOOSTER (DUAL)	10.000 (254)	42.000 (1067)
10/20	STD TERMINAL	6.500 (165)	12.000 (305)
30	STD TERMINAL	7.750 (197)	14.000 (356)
40	STD TERMINAL	10.250 (260)	16.000 (406)
10/20	BOOSTER WITH INLET DAMPER	6.500 (165)	16.000 (406)
30	BOOSTER WITH INLET DAMPER	8.000 (203)	16.000 (406)
40	BOOSTER WITH INLET DAMPER	10.500 (267)	16.000 (406)

ALL METRIC DIMENSIONS () ARE SOFT CONVERTED. IMPERIAL DIMENSIONS ARE CONVERTED TO METRIC AND ROUNDED TO THE NEAREST MILLIMETER.

PROJECT:

ENGINEER:

CUSTOMER:

SUBMITTAL DATE:

SPEC. SYMBOL:

PRICE

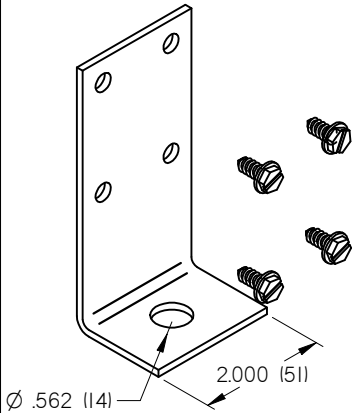
GF

270524

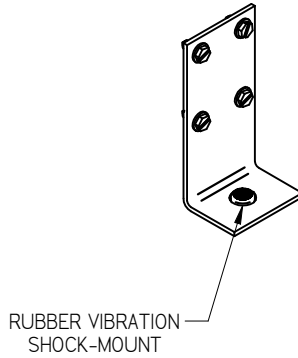
2018/10/01

**FDU FILTERS
UNDERFLOOR FAN
POWERED
BOOSTER/TERMINAL
CONFIGURATION
SIZE 10-50**

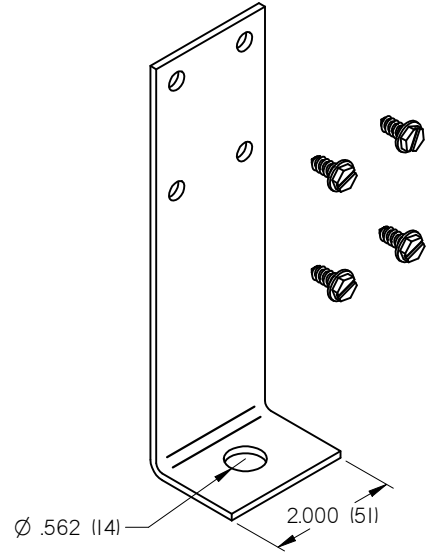
FDU SUPPORT BRACKET LOCATIONS



STANDARD BRACKET (SB)

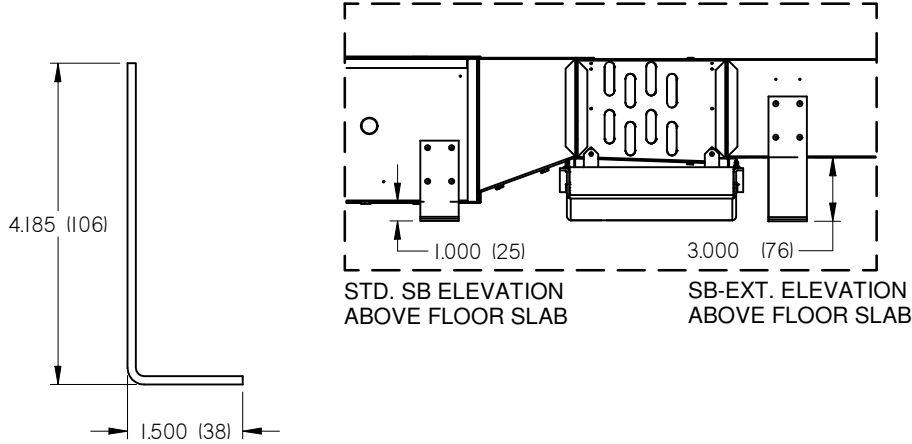


RUBBER VIBRATION SHOCK-MOUNT



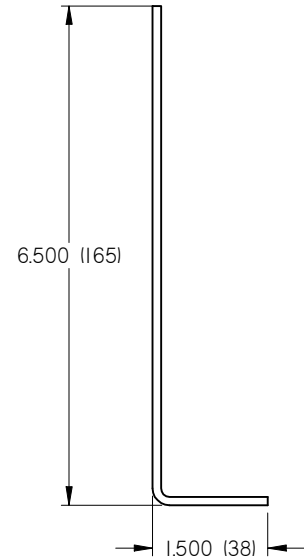
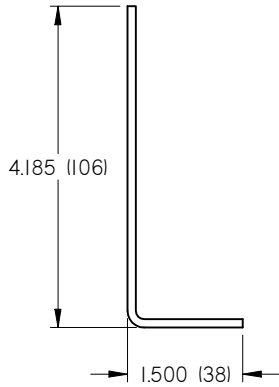
EXTENDED BRACKET (SB-E)

BRACKET MOUNTING DETAIL:



STD. SB ELEVATION ABOVE FLOOR SLAB



SB-EXT. ELEVATION ABOVE FLOOR SLAB



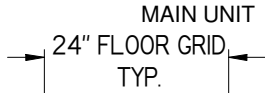
NOTES:

- SUPPORT BRACKETS ARE 12 GAUGE ZINC COATED STEEL
- MOUNT BRACKETS IN LOCATIONS INDICATED ON PG. 2 & 3 FOR VARIOUS CONFIGURATIONS & SIZES
- BRACKETS ARE SHIPPED LOOSE FOR FIELD INSTALLATION
- BRACKETS COME WITH RUBBER VIBRATION ISOLATION SHOCK MOUNTS
- EXTENDED SUPPORT BRACKETS ARE MEANT FOR USE WITH DRAIN PANS/ATTENUATORS
- LOCATIONS FOR BRACKETS WILL BE INDICATED BY DIMPLES ON UNITS/OPTIONS

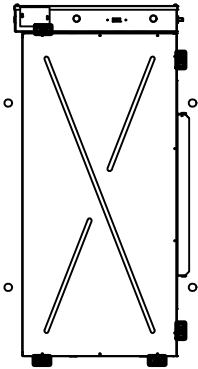
ALL METRIC DIMENSIONS () ARE SOFT CONVERTED. IMPERIAL DIMENSIONS ARE CONVERTED TO METRIC AND ROUNDED TO THE NEAREST MILLIMETER.

PROJECT:		 FDU SB LOCATIONS UNDERFLOOR FAN POWERED BOOSTER/TERMINAL CONFIGURATION SIZE 10-50
ENGINEER:		
CUSTOMER:		
SUBMITTAL DATE:	SPEC. SYMBOL:	
		 270525 2018/10/01

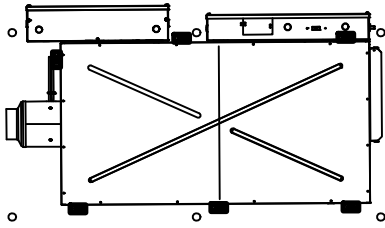
FDU SUPPORT BRACKET LOCATIONS



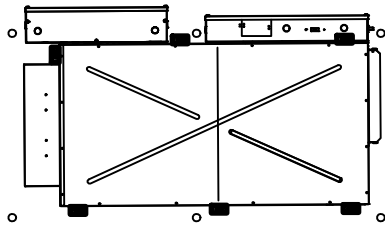
BOOSTER (SINGLE BLOWER) BASIC BOX
STD. SB



BOOSTER (DUAL BLOWER) BASIC BOX
STD. SB

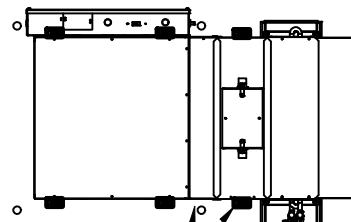


TERMINAL (SINGLE BLOWER) BASIC BOX
STD. SB



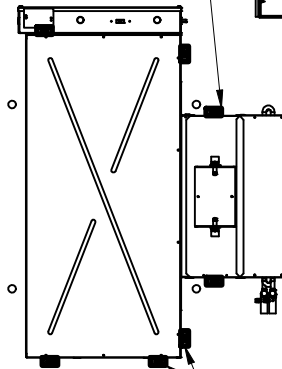
BOOSTER W/ ID (SINGLE BLOWER) BASIC BOX
STD. SB

WATER COILS



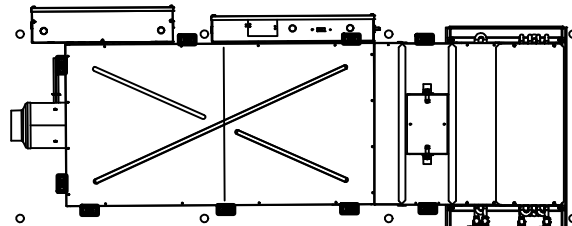
BOOSTER (SINGLE BLOWER) WC 2P/2P-HCCO (CWC)
IF DRAIN PAN REQUIRED: USE SB-E
FOR SZ 10 COOLING ONLY: USE STD. SB

MOUNT ON CAD SECTION OR DISCHARGE COLLAR

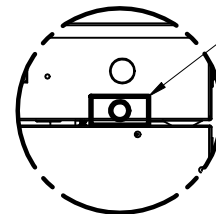


BOOSTER (DUAL BLOWER) WC 2P (HWC ONLY)
STD. SB

CHOOSE EITHER LOCATION





TERMINAL (SINGLE BLOWER) WC 4P-RE
USE SB-E



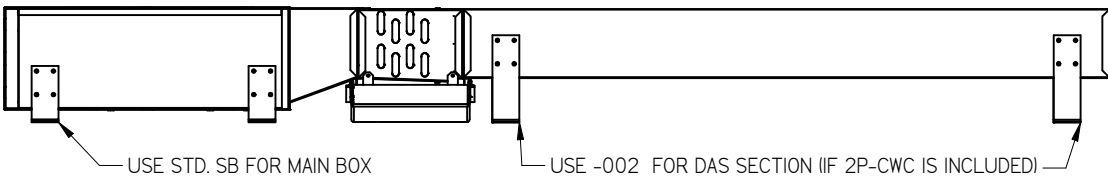
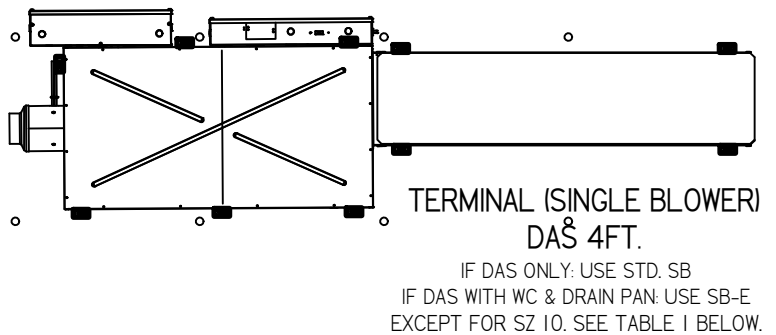
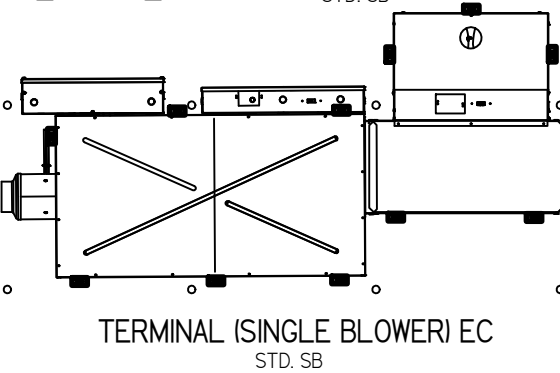
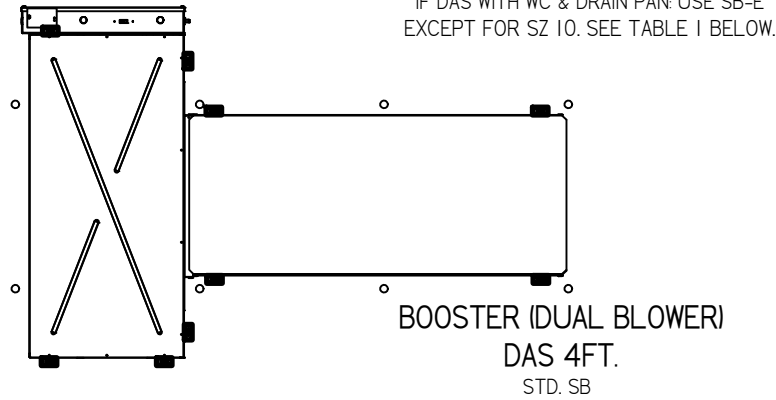
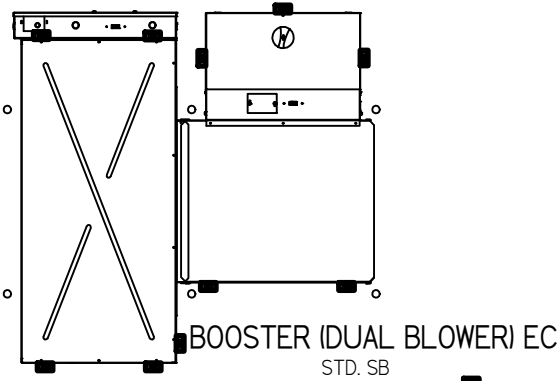
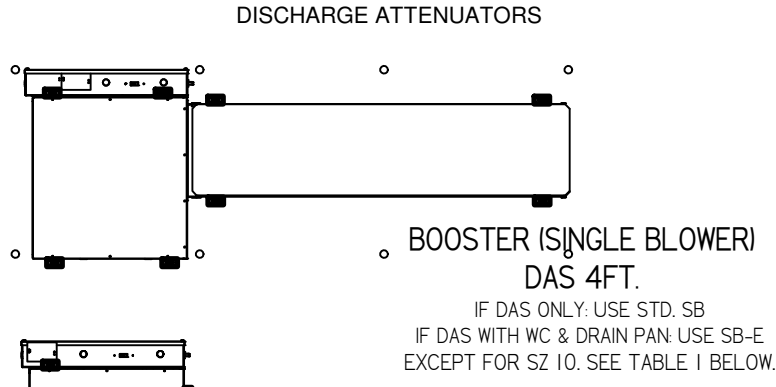
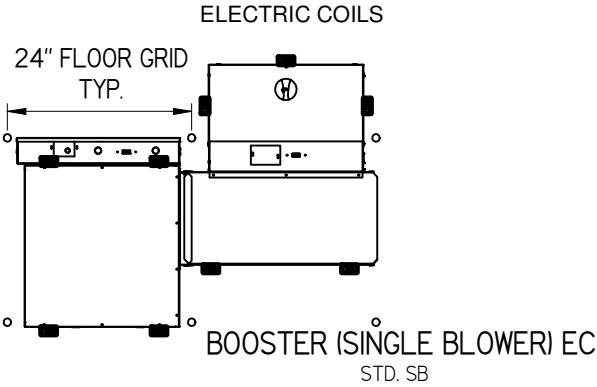
PLACE BETWEEN UNIT AND CONTROL BOX

DETAIL A

ALL METRIC DIMENSIONS () ARE SOFT CONVERTED. IMPERIAL DIMENSIONS ARE CONVERTED TO METRIC AND ROUNDED TO THE NEAREST MILLIMETER.

PROJECT:		 FDU SB LOCATIONS UNDERFLOOR FAN POWERED BOOSTER/TERMINAL CONFIGURATION SIZE 10-50
ENGINEER:		
CUSTOMER:		
SUBMITTAL DATE:	SPEC. SYMBOL:	
		 270525 2018/10/01



FDU SUPPORT BRACKET LOCATIONS



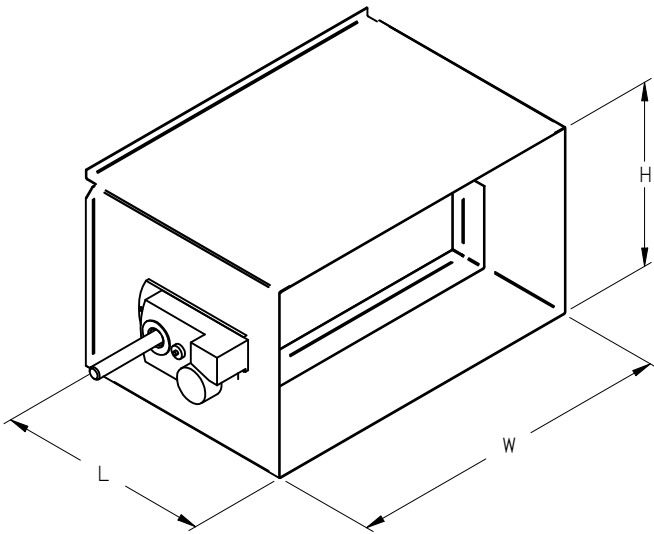
BOOSTER/TERMINAL SZ 10 W/ 2P CWC (COOLING ONLY) & DAS

TABLE 1 - SZ 10 ONLY SB QTY:	SB	SB-E
BASIC BOX UNIT ONLY	4	
UNIT W/ 2P CWC (COOL ONLY)	4	
UNIT W/ DAS (NO WC)	8	
UNIT W/ DAS & 2P CWC (COOL ONLY)	4	4

ALL METRIC DIMENSIONS () ARE SOFT CONVERTED. IMPERIAL DIMENSIONS ARE CONVERTED TO METRIC AND ROUNDED TO THE NEAREST MILLIMETER.

PROJECT:		 FDU SB LOCATIONS UNDERFLOOR FAN POWERED BOOSTER/TERMINAL CONFIGURATION SIZE 10-50
ENGINEER:		
CUSTOMER:		
SUBMITTAL DATE:	SPEC. SYMBOL:	
		 270525 2018/10/01

FDU TERMINAL RETURN DAMPER



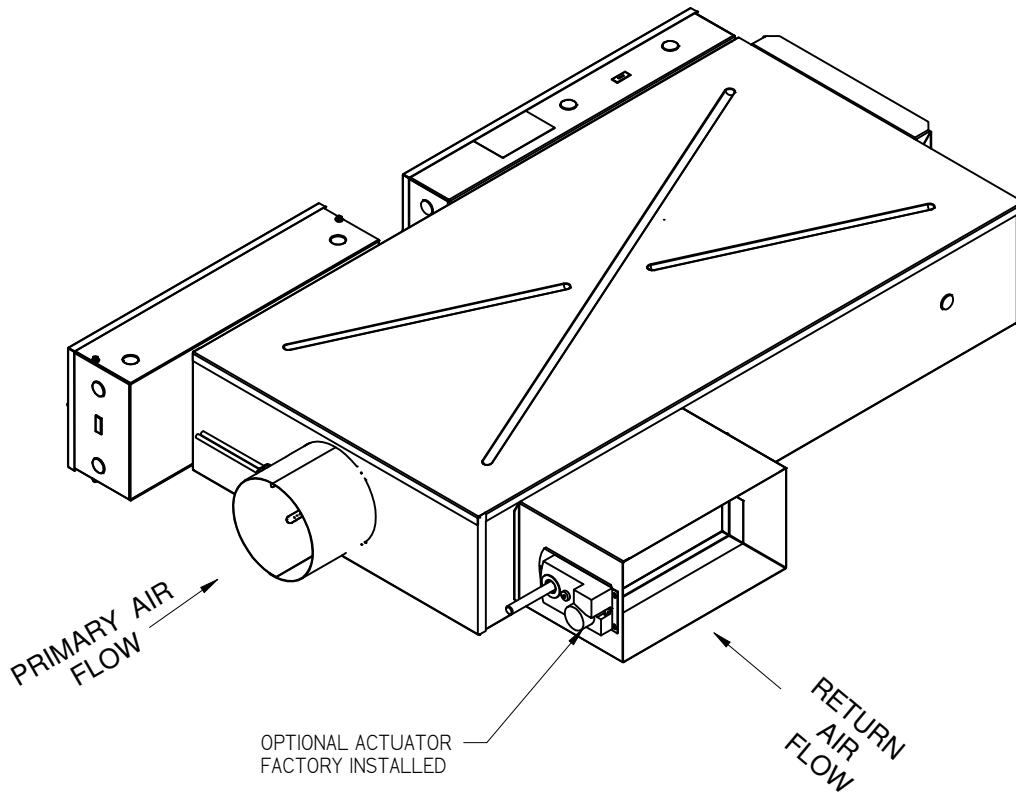
UNIT SIZE	L	W	H
10	7.525 (191)	12.000 (305)	6.310 (160)
20	7.525 (191)	12.000 (305)	6.310 (160)
30	7.525 (191)	14.000 (356)	7.810 (198)
40	7.525 (191)	16.000 (406)	10.310 (262)

RETURN DAMPER OPTION:

ACTUATOR SUPPLIED BY PRICE

STANDARD CONSTRUCTION:

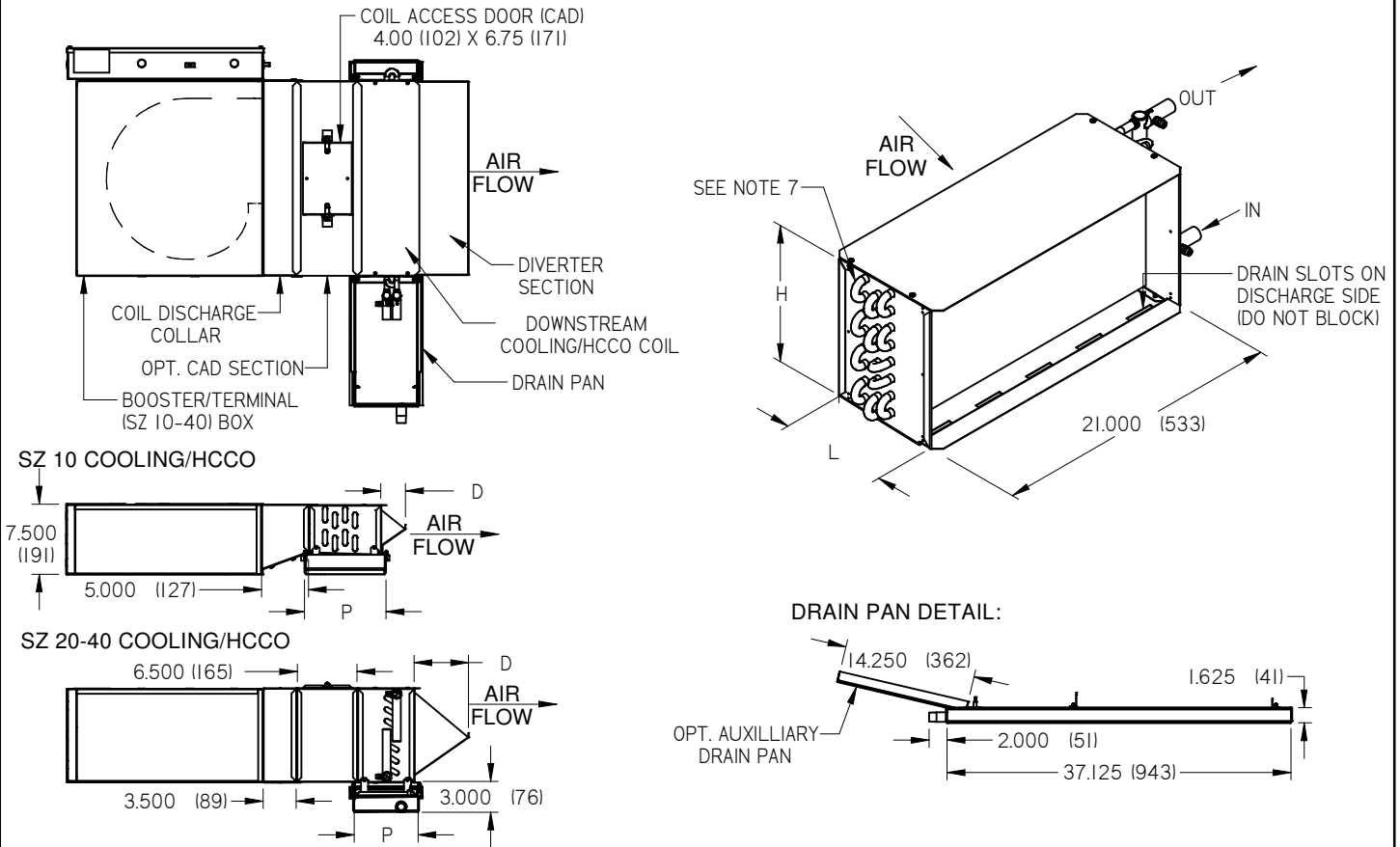
- 20 GA. ZINC COATED GALVANIZED STEEL CASING
- MINIMUM 0.1" EXTERNAL S.P TO OPERATE



ALL METRIC DIMENSIONS () ARE SOFT CONVERTED. IMPERIAL DIMENSIONS ARE CONVERTED TO METRIC AND ROUNDED TO THE NEAREST MILLIMETER.

PROJECT:		PRICE
ENGINEER:		
CUSTOMER:		GF
SUBMITTAL DATE:		270526
SPEC. SYMBOL:		2018/10/01
		FDU UNDERFLOOR FAN POWERED TERMINAL RETURN DAMPER SIZE 10-40

FDU COLD/HCCO WATER COILS



UNIT SIZE	ROWS	L	H	P	D
10	<input type="checkbox"/> 1C	6.000 (152)	5.000 (127)	7.125 (181)	2.625 (67)
	<input type="checkbox"/> 2C			8.750 (222)	
	<input type="checkbox"/> 3C	7.750 (197)		10.500 (267)	
	<input type="checkbox"/> 4C	9.500 (241)			
20	<input type="checkbox"/> 1C	6.000 (152)	7.750 (197)	7.125 (181)	4.375 (111)
	<input type="checkbox"/> 2C			8.750 (222)	
	<input type="checkbox"/> 3C	7.750 (197)		10.500 (267)	
	<input type="checkbox"/> 4C	9.500 (241)			
30	<input type="checkbox"/> 1C	6.000 (152)	10.000 (254)	7.125 (181)	5.875 (149)
	<input type="checkbox"/> 2C			8.750 (222)	
	<input type="checkbox"/> 3C	7.750 (197)		10.500 (267)	
	<input type="checkbox"/> 4C	9.500 (241)			
40	<input type="checkbox"/> 1C	6.000 (152)	12.500 (318)	7.125 (181)	8.000 (203)
	<input type="checkbox"/> 2C			8.750 (222)	
	<input type="checkbox"/> 3C	7.750 (197)		10.500 (267)	
	<input type="checkbox"/> 4C	9.500 (241)			

NOTES:

- FABRICATED FROM 22 GA. GALVANIZED STEEL. MECHANICALLY SEALED, LEAK RESISTANT CONSTRUCTION.
- COILS HAVE 1/2" COPPER TUBES AND ALUMINUM FINS WITH 7/8" O.D. SWEAT CONNECTIONS
- METHOD OF VENTING COIL IS TO BE PROVIDED BY INSTALLING CONTRACTOR
- COIL DISCHARGE COLLAR REQUIRED TO ATTACH COILS TO FANS
- COILS COME WITH GALVANIZED DRAIN PAN EXTERNALLY INSULATED WITH FIBER FREE FOAM
- HANDING OF COILS CAN BE ON THE SAME SIDE AS THE CONTROLS OR OPPOSITE SIDE. LEFT HAND UNIT AND RIGHT HAND CONNECTION IS ILLUSTRATED ABOVE.
- ALLOW 1-1/2" (38) MINIMUM CLEARANCE FOR INSTALLATION AT THIS END
- PERFORMANCE RATED AND CERTIFIED IN ACCORDANCE WITH THE CURRENT EDITION OF ARI STANDARD 410
- STANDARD COILS SUPPLIED WITH 12 FINS PER INCH.

ACCESS DOOR OPTIONS:

- NO COIL ACCESS DOOR
- CAD - ACCESS DOOR W/ SCREWS
- CADL - ACCESS DOOR W/ SNAP LATCHES
- CADQ - ACCESS DOOR W/ QUARTER TURN SASH LATCHES

DRAIN PAN OPTIONS:

- STAINLESS STEEL
- GALVANIZED W/ AUXILLIARY PAN
- STAINLESS STEEL W/ AUXILLIARY PAN

DRAIN PAN OVERFLOW:

- OVERFLOW SENSOR

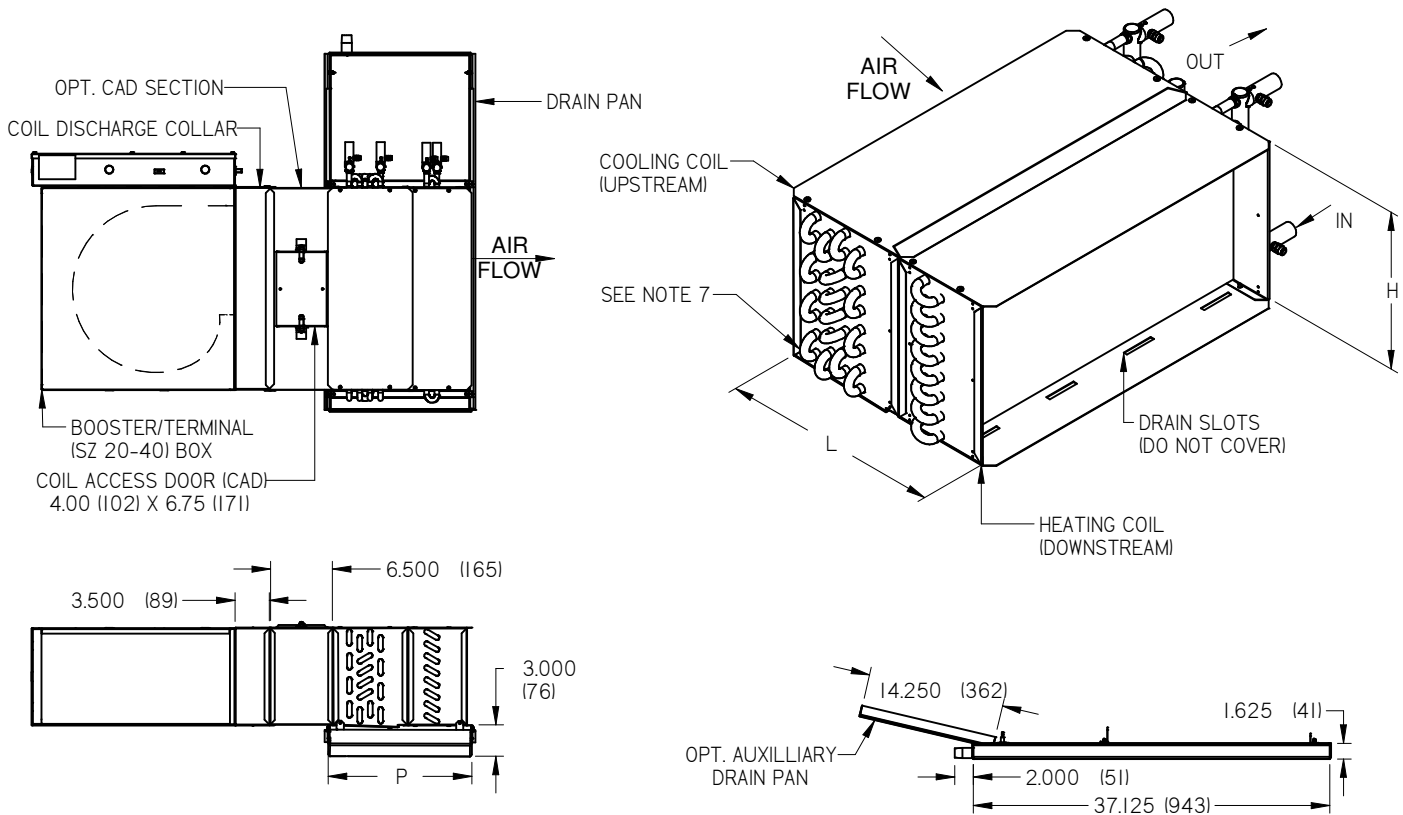
COIL HANDING OPTIONS:

- LH-COOL
- RH-COOL

ALL METRIC DIMENSIONS () ARE SOFT CONVERTED. IMPERIAL DIMENSIONS ARE CONVERTED TO METRIC AND ROUNDED TO THE NEAREST MILLIMETER.

PROJECT:		<p>NS</p> <p>270527</p> <p>2024/11/01</p>	<p>FDU WATER COILS UNDERFLOOR FAN POWERED BOOSTER/TERMINAL COOLING/HCCO ONLY SIZE 10-40</p>
ENGINEER:			
CUSTOMER:			
SUBMITTAL DATE:	SPEC. SYMBOL:		

FDU 4PIPE REHEAT WATER COILS



REHEAT CONFIG (COOL - HEAT ROWS)	□ SIZE 20			□ SIZE 30			□ SIZE 40		
	L	H	P	L	H	P	L	H	P
□ 1C-1H ROWS	12.000 (305)	7.750 (197)	13.250 (337)	12.000 (305)	10.000 (254)	13.250 (337)	12.000 (305)	12.500 (318)	13.250 (337)
□ 2C-1H ROWS	13.750 (349)		15.000 (381)	13.750 (349)		15.000 (381)	13.750 (349)		15.000 (381)
□ 3C-1H ROWS			15.500 (394)	16.625 (422)		15.500 (394)	16.625 (422)		15.500 (394)
□ 4C-1H ROWS	12.000 (305)		13.250 (337)	12.000 (305)		13.250 (337)	12.000 (305)		13.250 (337)
□ 6C-1H ROWS	13.750 (349)		15.000 (381)	13.750 (349)		15.000 (381)	13.750 (349)		15.000 (381)
□ 2C-2H ROWS	15.500 (394)		16.625 (422)	15.500 (394)		16.625 (422)	15.500 (394)		16.625 (422)
□ 1C-2H ROWS	13.750 (349)	15.000 (381)	13.750 (349)	15.000 (381)	13.750 (349)	15.000 (381)	13.750 (349)	15.000 (381)	16.625 (422)
□ 3C-2H ROWS									
□ 4C-2H ROWS	15.500 (394)	16.625 (422)	15.500 (394)	16.625 (422)	15.500 (394)	16.625 (422)			

- ACCESS DOOR OPTIONS:**
- NO COIL ACCESS DOOR
 - CAD - ACCESS DOOR W/ SCREWS
 - CADL - ACCESS DOOR W/ SNAP LATCHES
 - CADQ - ACCESS DOOR W/ QUARTER TURN SASH LATCHES
- REHEAT COIL HANDING OPTIONS:**
- LH-COOL, LH-HEAT
 - RH-COOL, RH-HEAT
- DRAIN PAN OPTIONS:**
- STAINLESS STEEL
 - GALVANIZED W/ AUXILLIARY PAN
 - STAINLESS STEEL W/ AUXILLIARY PAN
- DRAIN PAN OVERFLOW:**
- OVERFLOW SENSOR

NOTES:

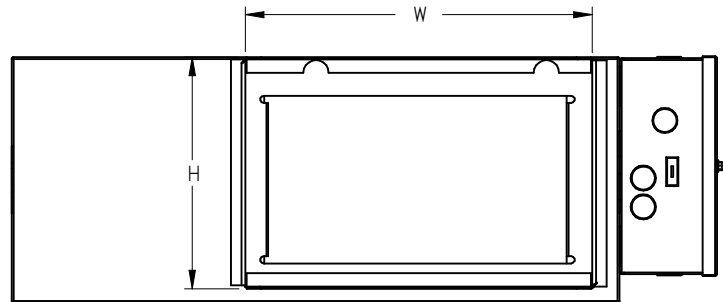
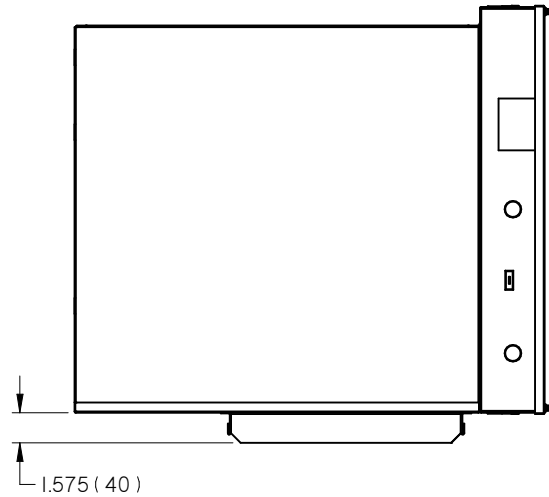
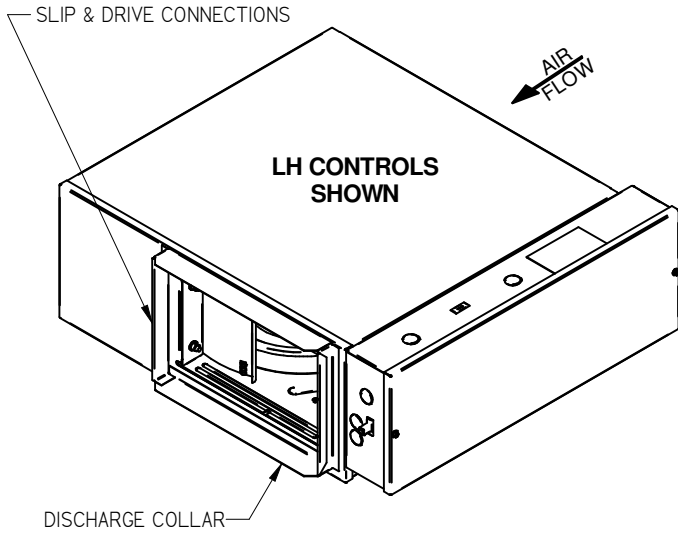
1. FABRICATED FROM 22 GA. GALVANIZED STEEL. MECHANICALLY SEALED, LEAK RESISTANT CONSTRUCTION.
2. COILS HAVE 1/2" COPPER TUBES AND ALUMINUM FINS WITH 7/8" O.D. SWEAT CONNECTIONS
3. METHOD OF VENTING COIL IS TO BE PROVIDED BY INSTALLING CONTRACTOR
4. COIL DISCHARGE COLLAR REQUIRED TO ATTACH COILS TO FANS
5. COILS COME WITH GALVANIZED DRAIN PAN EXTERNALLY INSULATED WITH FIBER FREE FOAM
6. HANDING OF COILS CAN BE ON THE SAME SIDE AS THE CONTROLS OR OPPOSITE SIDE. LEFT HAND UNIT AND RIGHT HAND CONNECTION IS ILLUSTRATED ABOVE.
7. ALLOW 1-1/2" (38) MINIMUM CLEARANCE FOR INSTALLATION AT THIS END
8. PERFORMANCE RATED AND CERTIFIED IN ACCORDANCE WITH THE CURRENT EDITION OF ARI STANDARD 410
9. STANDARD COILS SUPPLIED WITH 12 FINS PER INCH.

ALL METRIC DIMENSIONS () ARE SOFT CONVERTED. IMPERIAL DIMENSIONS ARE CONVERTED TO METRIC AND ROUNDED TO THE NEAREST MILLIMETER.

PROJECT:		<p>NS</p> <p>270528</p> <p>2024/11/01</p>	<p>FDU WATER COILS UNDERFLOOR FAN POWERED BOOSTER/TERMINAL 4 PIPE REHEAT CONFIG SIZE 20-40</p>
ENGINEER:			
CUSTOMER:			
SUBMITTAL DATE:	SPEC. SYMBOL:		

Solid Edge

FDU DISCHARGE COLLAR (DC)



UNIT SIZE	DISCHARGE COLLAR	
	W in. (mm)	H in. (mm)
10	12.000 (305)	7.500 (191)
20	12.000 (305)	8.000 (203)
30	12.000 (305)	10.000 (254)
40	14.000 (356)	12.500 (318)
50	21.000 (533)	10.000 (254)

- NOTES:**
- 20 GA. ZINC COATED GALVANIZED DISCHARGE COLLAR
 - DISCHARGE COLLAR AVAILABLE FOR BOOSTER AND TERMINAL CONFIGURATIONS



ALL METRIC DIMENSIONS () ARE SOFT CONVERTED. IMPERIAL DIMENSIONS ARE CONVERTED TO METRIC AND ROUNDED TO THE NEAREST MILLIMETER.

PROJECT:		PRICE
ENGINEER:		
CUSTOMER:		NS
SUBMITTAL DATE:		273436
SPEC. SYMBOL:		2021/05/19
FDU DC UNDERFLOOR FAN POWERED BOOSTER/TERMINAL CONFIGURATION SIZE 10-50		